

Gateway 46-inch Plasma TV Specifications

Specifications are subject to change without notice or obligation.

Display Panel

Screen size	Diagonal 46-inch
Aspect ratio	16:9 wide
Number of pixels	852 (Horizontal, RGB Trio) × 480 (Vertical) pixels
Pixel Pitch	1.182 mm × 1.182 mm
Luminance	570cd/m ² , at APL13%

Power Source

Input voltage	100 ~ 240 Vac, 50/60 Hz
Input current	4 A at nominal line
Inrush current	20 A p-p/20 ms Max.
Power consumption	340 ± 10% Watts typical
Stand-by and Power Save	10 Watts Max.

Connector Types

RCA jacks for audio, video, Y/C _B /C _R , and Y/P _B /P _R
4-pin Din S-terminal for S-Video
9-pin D-SUB for RS232
15-pin D-SUB for RGB
30-pin DVI

Video/S-Video Signal	
Type	Analog
Polarity	Positive
Amplitude	Video 1Vp-p, (priority S-Video) Y=1Vp-p C=0.286Vp-p
Frequency	H: 15.734 KHz V: 60 Hz (NTSC) H: 15.625 KHz V: 50 Hz (PAL)
Input impedance	75 ohms
Y/C_B/C_R or Y/P_B/P_R Signal (Component 1 and 2)	
Type	Analog
Polarity	Positive
Amplitude	AV: 1Vp-p (with sync) S-Video: Y: 1Vp-p,C: 0.286Vp-p
Frequency	
Y/CB/CR	H: 15.734 KHz V: 60 Hz (NTSC)
Y/PB/PR: HDTV	H: 15.625 KHz V: 50 Hz (PAL) H: 31 KHz V: 60 Hz (480P) H: 45 KHz V: 60 Hz (720P) H: 33 KHz V: 60 Hz (1080I)
RGB Signal	
Type	Analog
Polarity	Positive or Negative
Amplitude	RGB: 0.7 Vp-p
Frequency	H: support to 31 K~70 KHz V: support to 50~85 Hz

DVI Signal

Type	Digital
Polarity	Positive or Negative
Frequency	H: support to 31 K~70 KHz V: support to 50~85 Hz

Audio Signal

Analog 500 mV rms /more than 22 Kohm

Pin Assignments for D-SUB Connector (In/Loop Out)

Pin	Signal Assignment	Pin	Signal Assignment	Pin	Signal Assignment
1	RED	6	RED GND	11	GND
2	GREEN	7	GREEN GND	12	SDA
3	BLUE	8	BLUE GND	13	H-SYNC
4	GND	9	NC	14	V-SYNC
5	GND	10	GND	15	SCL

Pin Assignments for 24 Pin DVI Connector (Digital Only)

Pin	Signal Assignment	Pin	Signal Assignment	Pin	Signal Assignment
1	TMDS Data 2-	9	TMDS Data 1-	17	TMDS Data 0-
2	TMDS Data 2+	10	TMDS Data 1+	18	TMDS Data 0+
3	TMDS Data 2/4 Shield	11	TMDS Data 1/3 Shield	19	TMDS Data 0/5 Shield
4	TMDS Data 4-	12	TMDS Data 3-	20	TMDS Data 5-
5	TMDS Data 4+	13	TMDS Data 3+	21	TMDS Data 5+
6	DDC Clock	14	+5V Power	22	TMDS Clock Shield
7	DDC Data	15	Ground (For +5V)	23	TMDS Clock +
8	NC	16	Hot Plug Detect	24	TMDS Clock -

RGB/DVI For VESA Standard

Mode No.	Resolution	Horizontal Frequency (KHz)	Vertical Frequency (Hz)	Dot Rate (MHz)	Remark
1	640 × 400	31.47	70.08	25.17	DOS
2	640 × 400	37.90	85.00	31.5	VESA
3	640 × 480	31.50	60.00	25.18	DOS
4	640 × 480	35.00	67.00	30.24	Mac. (SOG)
5	640 × 480	37.00	75.00	31.50	VESA
6	640 × 480	37.86	72.81	31.50	VESA
7	640 × 480	43.30	85.00	36.00	VESA
8	800 × 600	35.16	56.25	36.00	VESA
9	800 × 600	37.90	60.32	40.00	VESA
10	800 × 600	46.90	75.00	49.50	VESA
11	800 × 600	48.08	72.19	50.00	VESA
12	800 × 600	53.70	85.00	56.25	VESA
13	832 × 624	49.00	74.00	57.27	Mac. (SOG)
14	1024 × 768	48.40	60.00	65.00	VESA
15	1024 × 768	56.50	70.00	75.00	VESA
16	1024 × 768	60.00	75.00	78.75	VESA
17	1024 × 768	68.70	85.00	94.50	VESA

RGB/DVI For Apple Standard

Mode No.	Resolution	Refresh Rate (Hz)	Horizontal Frequency (KHz)	Vertical Frequency (Hz)	V-Sync Polarity (TTL)	H-Sync Polarity (TTL)	Dot Rate (MHz)
24	640 × 480	67	35.00	66.67	-	-	30.240
25	832 × 624	75	49.73	74.55	-	-	57.283

Y/PB/PR For Component 1

Mode	Resolution	Refresh Rate
1	640 × 480P	60
2	1920 × 1080I	60
3	1280 × 720P	60

Maximum Resolution

Up to 1024 × 768

Dimensions	Without/Stand	With/Stand
Width	44.80 in. (1138 mm)	44.80 in. (1138 mm)
Height	28.39 in. (721 mm)	30.79 in. (782 mm)
Depth	3.86 in. (98 mm)	10.24 in. (260 mm)

Package Dimensions

Width	51.18 in. (1300 mm)
Height	34.65 in. (880 mm)
Depth	12.99in. (330 mm)

Weight

Net weight	82.67 lbs/37.5 Kgs (without stand) 92.15 lbs/ 41.8 Kgs (with stand)
Gross weight	101.4 lbs/46 Kgs

Operating

Temperature	0~40°C (32~104°F)
Relative humidity	20~80%
Pressure	800~1114 hpa

Non-Operating

Temperature	-20~60°C
Relative humidity	20~90%
Pressure	700~1114 hpa
Vibration	X/Y/Z, 0.5G/10~55 Hz (sweep), 10 minutes

Acoustics

(IHF A-weighted 1 meter) 40 dB Max.

Sound

Residual hum (at volume max)	500 μ W Max.
Practical max. Audio output (at 10% THD max.)	1.0 vp-p 1 KHz input 5 W + 5 W Max. /12 ohm
Sound distortion (at 250 mw 1 KHz)	1% Max.
Audio output (input at 1.4V _{P-P})	\geq 1.0 V _{P-P}

Reliability Requirement

The MTBF is 20000 hours under operation at 25 \pm 5°C (Half luminosity, motion picture)

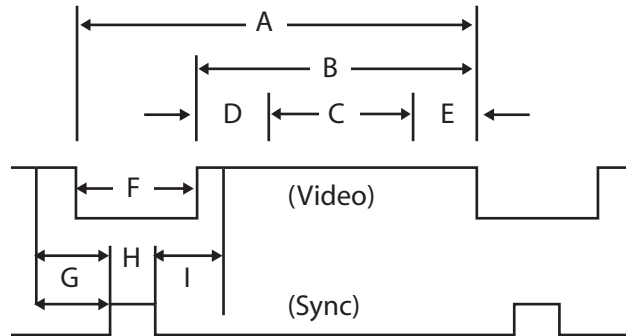
Emissions Requirement

Your plasma TV meets the EMI limits in all screen modes as qualified by FCC class B part 15.

Power Management

Mode	H-sync	V-sync	Video	Power dissipation
Normal	Pulse	Pulse	Active	Normal power
Stand-by	No pulse	No pulse	No video	Less than 10 watts
Power saving	Pulse	No pulse	blanked	Less than 10 watts
	No pulse	Pulse	blanked	Less than 10 watts

Preset Timing Chart



Item	Description:
A	Total time
B	Active display area including borders
C	Active display area excluding borders
D	Left/Top border
E	Right/bottom border
F	Blanking time
G	Front porch
H	Sync-width
I	Back porch

Many products for Gateway and its subsidiaries are custom engineered by our suppliers to Gateway specifications and may vary from similarly marketed products.

MAN MON 46" PLASMA SPEC R0 6/03



8509241